



**SPECIFICATION OF SR TYPE SPEED CONTROL MOTORS**

| SIZE<br>mm sq. | Motor<br>Type                  | Controller<br>Type | Poles | Output<br>(W) | Voltage<br>(V)               | Freq.<br>(Hz) | Duty   | Speed<br>Range<br>(rpm) | Permissible Torque |                |          |       | Starting Torque |                | Cap.<br>( $\mu$ F) |
|----------------|--------------------------------|--------------------|-------|---------------|------------------------------|---------------|--------|-------------------------|--------------------|----------------|----------|-------|-----------------|----------------|--------------------|
|                |                                |                    |       |               |                              |               |        |                         | at 1200rpm         |                | at 90rpm |       | (kg-cm)         | (N-m)          |                    |
| 60             | S6R06GA-ES12<br>S6R06GA-ES12CE | SRA01<br>SRA01CE   | 4     | 6             | 1 $\phi$ 110                 | 60            | 30min. | 90-1700                 | 0.62               | 0.062          | 0.45     | 0.045 | 0.55            | 0.055          | 3.0                |
|                | S6R06GB-ES12<br>S6R06GB-ES12CE | SRB01<br>SRB01CE   | 4     | 6             | 1 $\phi$ 220                 | 60            | 30min. | 90-1700                 | 0.62               | 0.062          | 0.45     | 0.045 | 0.55            | 0.055          | 0.8                |
|                | S6R06GC-ES12<br>S6R06GC-ES12CE | SRC01<br>SRC01CE   | 4     | 6             | 1 $\phi$ 100                 | 50<br>60      | 30min. | 90-1400<br>90-1700      | 0.56               | 0.056          | 0.38     | 0.038 | 0.50            | 0.050          | 3.0                |
|                | S6R06GD-ES12<br>S6R06GD-ES12CE | SRD01<br>SRD01CE   | 4     | 6             | 1 $\phi$ 200                 | 50<br>60      | 30min. | 90-1400<br>90-1700      | 0.55               | 0.055          | 0.38     | 0.038 | 0.50            | 0.050          | 0.8                |
|                | S6R06GX-ES12<br>S6R06GX-ES12CE | SRX01<br>SRX01CE   | 4     | 6             | 1 $\phi$ 220<br>1 $\phi$ 240 | 50            | 30min. | 90-1400                 | 0.47<br>0.52       | 0.047<br>0.052 | 0.38     | 0.038 | 0.45<br>0.52    | 0.045<br>0.052 | 0.7                |

- ❖ CE marked at the end of motor model name indicates that it is thermally protected type which has received CE.
- ❖ SR type controller model with "CE" appeared at the end of motor model name indicates that the product acquired CE MARK certification.
- ❖ "L" or "H" type does not apply to motors under 40W.

**SPECIFICATION OF SOCKET SS TYPE SPEED CONTROL MOTORS**

| SIZE<br>mm sq. | Motor<br>Type                  | Controller<br>Type       | Poles | Output<br>(W) | Voltage<br>(V)               | Freq.<br>(Hz) | Duty   | Speed<br>Range<br>(rpm) | Permissible Torque |                |          |       | Starting Torque |                | Cap.<br>( $\mu$ F) |
|----------------|--------------------------------|--------------------------|-------|---------------|------------------------------|---------------|--------|-------------------------|--------------------|----------------|----------|-------|-----------------|----------------|--------------------|
|                |                                |                          |       |               |                              |               |        |                         | at 1200rpm         |                | at 90rpm |       | (kg-cm)         | (N-m)          |                    |
| 60             | S6R06GA-ES24<br>S6R06GA-ES24CE | SSA01-SRSS<br>SSA03-SRSS | 4     | 6             | 1 $\phi$ 110                 | 60            | 30min. | 90-1700                 | 0.62               | 0.062          | 0.45     | 0.045 | 0.55            | 0.055          | 3.0                |
|                | S6R06GB-ES24<br>S6R06GB-ES24CE | SSB01-SRSS<br>SSB03-SRSS | 4     | 6             | 1 $\phi$ 220                 | 60            | 30min. | 90-1700                 | 0.62               | 0.062          | 0.45     | 0.045 | 0.55            | 0.055          | 0.8                |
|                | S6R06GC-ES24<br>S6R06GC-ES24CE | SSC01-SRSS<br>SSC03-SRSS | 4     | 6             | 1 $\phi$ 100                 | 50<br>60      | 30min. | 90-1400<br>90-1700      | 0.56               | 0.056          | 0.38     | 0.038 | 0.50            | 0.050          | 3.0                |
|                | S6R06GD-ES24<br>S6R06GD-ES24CE | SSD01-SRSS<br>SSD03-SRSS | 4     | 6             | 1 $\phi$ 200                 | 50<br>60      | 30min. | 90-1400<br>90-1700      | 0.55               | 0.055          | 0.38     | 0.038 | 0.50            | 0.050          | 0.8                |
|                | S6R06GX-ES24<br>S6R06GX-ES24CE | SSX01-SRSS<br>SSX03-SRSS | 4     | 6             | 1 $\phi$ 220<br>1 $\phi$ 240 | 50            | 30min. | 90-1400                 | 0.47<br>0.52       | 0.047<br>0.052 | 0.38     | 0.038 | 0.45<br>0.52    | 0.045<br>0.052 | 0.7                |

- ❖ CE marked at the end of motor model name indicates that it is thermally protected type which has received CE.
- ❖ "L" or "H" type does not apply to motors under 40W.

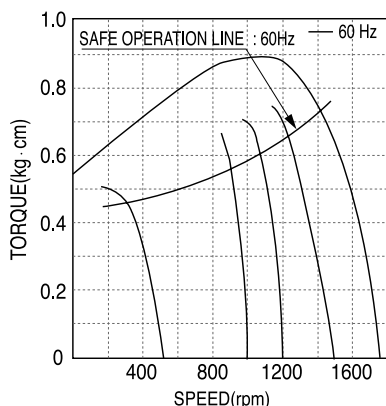
### 50Hz

| GEAR RATIO |       | 3     | 3.6   | 5     | 6     | 7.5   | 9     | 10    | 12.5  | 15    | 18    | 20    | 25    | 30    | 36    | 40    | 50    | 60    | 75    | 90    | 100   | 120   | 150   | 180   | 200   | 250  |
|------------|-------|-------|-------|-------|-------|-------|-------|-------|-------|-------|-------|-------|-------|-------|-------|-------|-------|-------|-------|-------|-------|-------|-------|-------|-------|------|
| MODEL      | rpm   | 500   | 416   | 300   | 250   | 200   | 166   | 150   | 120   | 100   | 83    | 75    | 60    | 50    | 41    | 37    | 30    | 25    | 20    | 16    | 15    | 12    | 10    | 8     | 7.5   | 6    |
|            | kg·cm | 1.3   | 1.5   | 2.1   | 2.6   | 3.2   | 3.9   | 4.3   | 5.4   | 6.4   | 7.7   | 7.7   | 9.7   | 11.6  | 13.9  | 15.5  | 17.5  | 21.0  | 26.2  | 30.0  | 30.0  | 30.0  | 30.0  | 30.0  | 30.0  | 30.0 |
| S6DA□B     | N·m   | 0.127 | 0.147 | 0.206 | 0.255 | 0.314 | 0.382 | 0.421 | 0.529 | 0.627 | 0.755 | 0.755 | 0.951 | 1.137 | 1.362 | 1.519 | 1.715 | 2.058 | 2.568 | 2.942 | 2.942 | 2.942 | 2.942 | 2.942 | 2.942 |      |

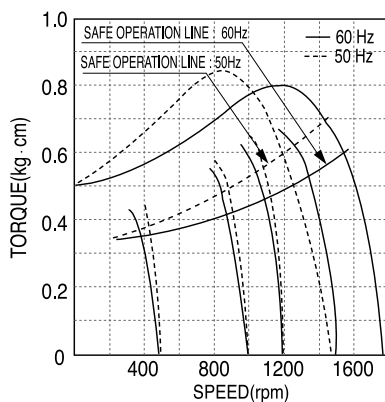
### 60Hz

| GEAR RATIO |       | 3     | 3.6   | 5     | 6     | 7.5   | 9     | 10    | 12.5  | 15    | 18    | 20    | 25    | 30    | 36    | 40    | 50    | 60    | 75    | 90    | 100   | 120   | 150   | 180   | 200   | 250   |
|------------|-------|-------|-------|-------|-------|-------|-------|-------|-------|-------|-------|-------|-------|-------|-------|-------|-------|-------|-------|-------|-------|-------|-------|-------|-------|-------|
| MODEL      | rpm   | 600   | 500   | 360   | 300   | 240   | 200   | 180   | 144   | 120   | 100   | 90    | 72    | 60    | 50    | 45    | 36    | 30    | 24    | 20    | 18    | 15    | 12    | 10    | 9     | 7.2   |
|            | kg·cm | 1.0   | 1.3   | 1.7   | 2.1   | 2.6   | 3.1   | 3.5   | 4.4   | 5.2   | 6.3   | 6.3   | 7.8   | 9.4   | 11.3  | 12.6  | 14.2  | 17.0  | 21.3  | 25.5  | 28.4  | 30.0  | 30.0  | 30.0  | 30.0  | 30.0  |
| S6DA□B     | N·m   | 0.098 | 0.127 | 0.167 | 0.206 | 0.255 | 0.304 | 0.343 | 0.431 | 0.510 | 0.617 | 0.617 | 0.764 | 0.921 | 1.107 | 1.235 | 1.392 | 1.666 | 2.087 | 2.499 | 2.783 | 2.942 | 2.942 | 2.942 | 2.942 | 2.942 |

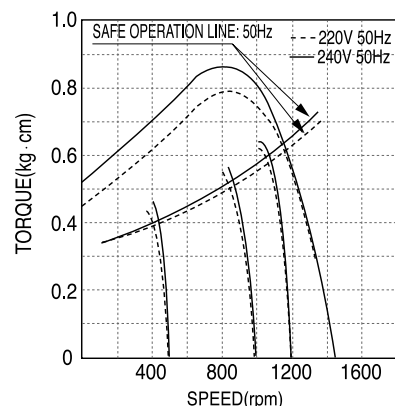
- ❖ The code in □ of gearhead model is for gear ratio.
- ❖ It is the permissible torque of the assembled motor and gearhead.
- ❖ The permissible torque of the motor and inter-decimal gearhead is 30 kg·cm.
- ❖ ■ color indicates that the output shaft of the geared motor rotates in the same direction as the output shaft of the motor. Others indicate rotation in the opposite direction.
- ❖ Rpm is based on synchronous speed (50Hz: 1500rpm, 60Hz: 1800rpm) divided by gear ratio. The actual rotation speed can be 2~20% less than displayed value depending on the load.
- ❖ "L" or "H" type does not apply to motors under 40W.



- ▲ S6R06GA-ES12 S6R06GA-ES24
- S6R06GA-ES12CE S6R06GA-ES24CE
- S6R06GB-ES12 S6R06GB-ES24
- S6R06GB-ES12CE S6R06GB-ES24



- ▲ S6R06GC-ES12 S6R06GC-ES24
- S6R06GC-ES12CE S6R06GC-ES24CE
- S6R06GD-ES12 S6R06GD-ES24
- S6R06GD-ES12CE S6R06GD-ES24CE

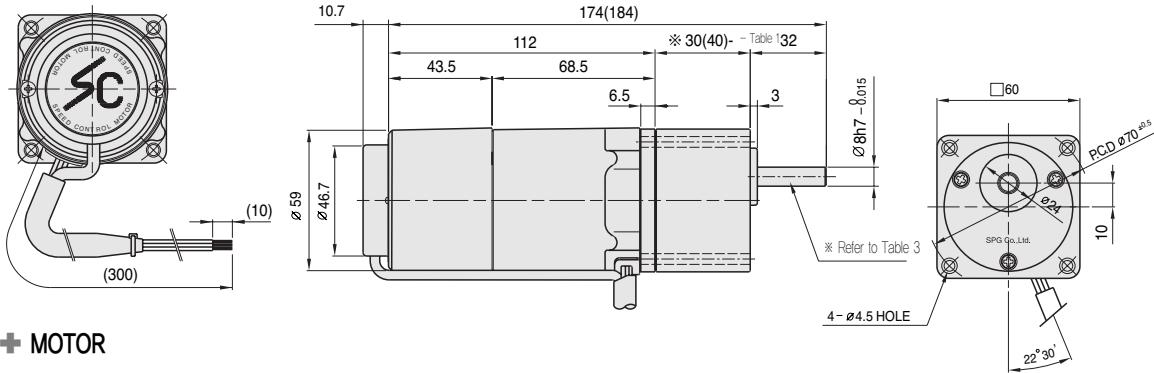


- ▲ S6R06GX-ES12 S6R06GX-ES24
- S6R06GX-ES12CE S6R06GX-ES24CE

# DIMENSIONS

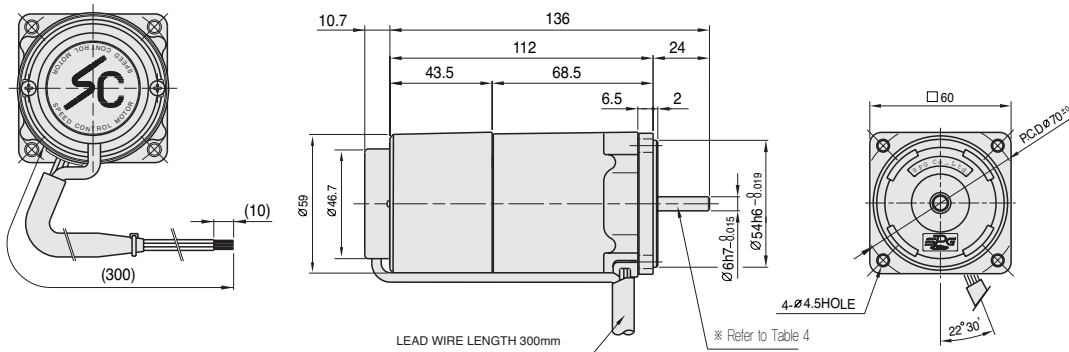
## + GEARED MOTOR

※ MOTOR MODEL : S6R06G□-ES12, S6R06G□-ES24  
 ※ HEAD MODEL : S6□A3□~S6□A250□



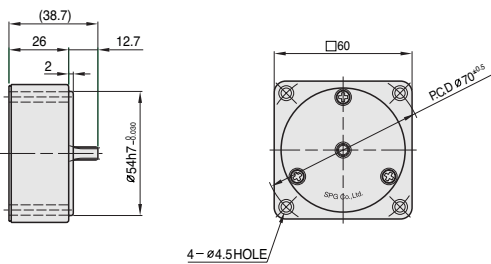
## + MOTOR

※ MOTOR MODEL : S6R06□□-ES12, S6R06□□-ES24

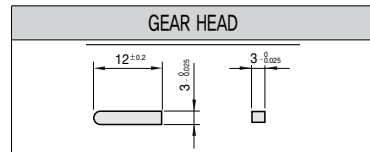


## + INTER-DECIMAL GEAR HEAD

※ MODEL : S6GX10B



## + KEY SPEC



## + ※30(40) - (Table 1)

| GEAR RATIO         | SIZE(mm) |
|--------------------|----------|
| S6□A3□ ~ S6□A18□   | 30       |
| S6□A20□ ~ S6□A250□ | 40       |

## + WEIGHT - (Table 2)

| PART              | WEIGHT(kg)         |      |
|-------------------|--------------------|------|
| MOTOR             | 1.00               |      |
| DECIMAL GEAR HEAD | 0.18               |      |
| GEAR HEAD         | S6□A3□ ~ S6□A18□   | 0.24 |
|                   | S6□A20□ ~ S6□A40□  | 0.30 |
|                   | S6□A50□ ~ S6□A250□ | 0.33 |

## + SPEC for output shaft of gearhead - (Table 3)

| MODEL               | TYPES OF OUTPUT SHAFT |
|---------------------|-----------------------|
| S6SA3□<br>~S6SA250□ | STRAIGHT TYPE<br>     |
|                     | D-CUT TYPE<br>        |
| S6DA3□<br>~S6DA250□ | KEY TYPE<br>          |

## + SPEC for output shaft of motor - (Table 4)

| MODEL                        | TYPES OF OUTPUT SHAFT |
|------------------------------|-----------------------|
| S6R06G□-ES12<br>S6R06G□-ES24 | GEAR TYPE<br>         |
|                              | STRAIGHT TYPE<br>     |
| S6R06D□-ES12<br>S6R06D□-ES24 | D-CUT TYPE<br>        |